

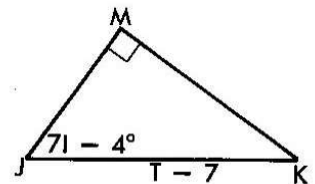
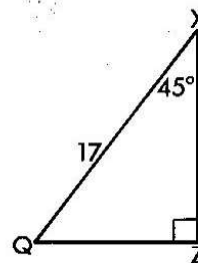
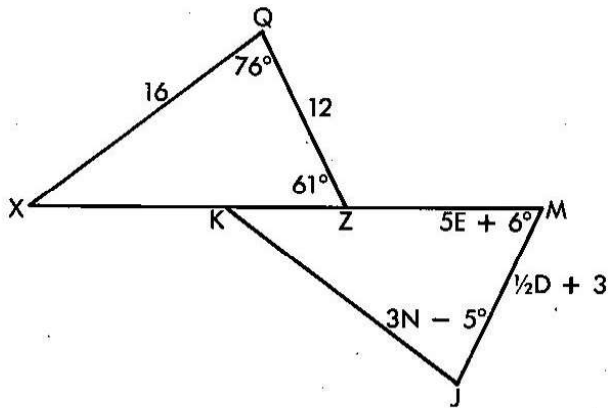
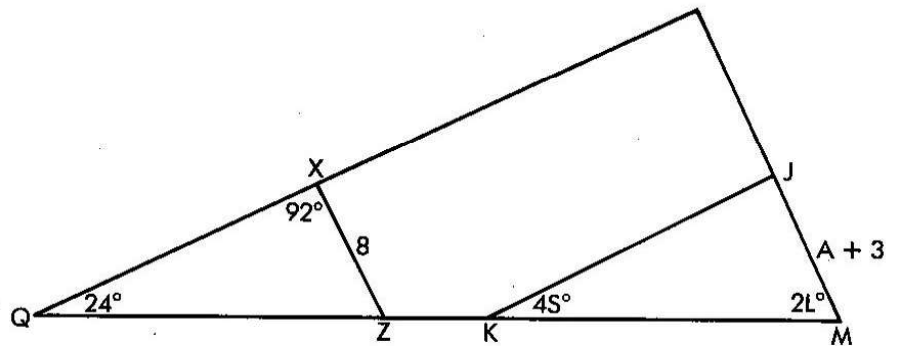
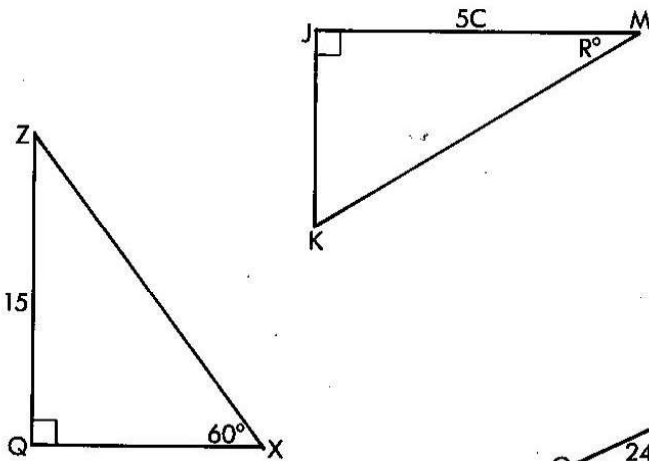
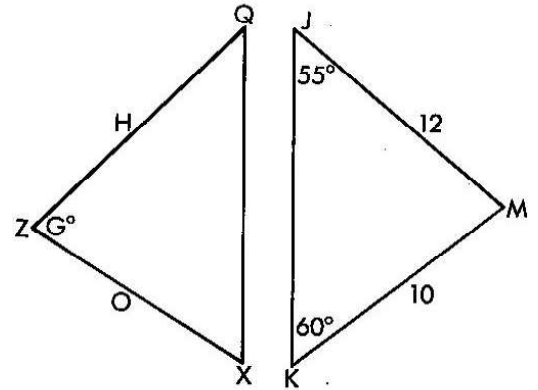
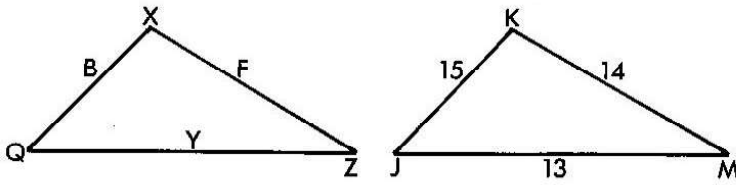
On the blank beside each pair of triangles write the reason that they are congruent. Follow the reasons in order through the maze and you will get through without coming to a bad end.

1. _____
2. _____
3. _____
4. _____
5. _____
6. _____
7. _____
8. _____
9. _____
10. _____
11. _____
12. _____
13. _____
14. _____
15. _____
16. _____
17. _____

CONGRUENT TRIANGLES

Suppose you want to prove that $\triangle QXZ \cong \triangle JKM$. What value must the variable(s) have in each exercise? After you've found the value for each variable, decipher the code below for an important application of geometry.

Note: Q, Z, X, J, K, and M are NOT variables.



6 7 27 3 11

24 30 7 5 27 65 32 11 6

5 30 11

30 7 65 7 18

24 12 11 13

5 30 11

16 6 11 14 16 32

24 10

15 16 7 32 18 11 30 6

5 27 18

5 30 3 12 7 24 11 3 24 6